

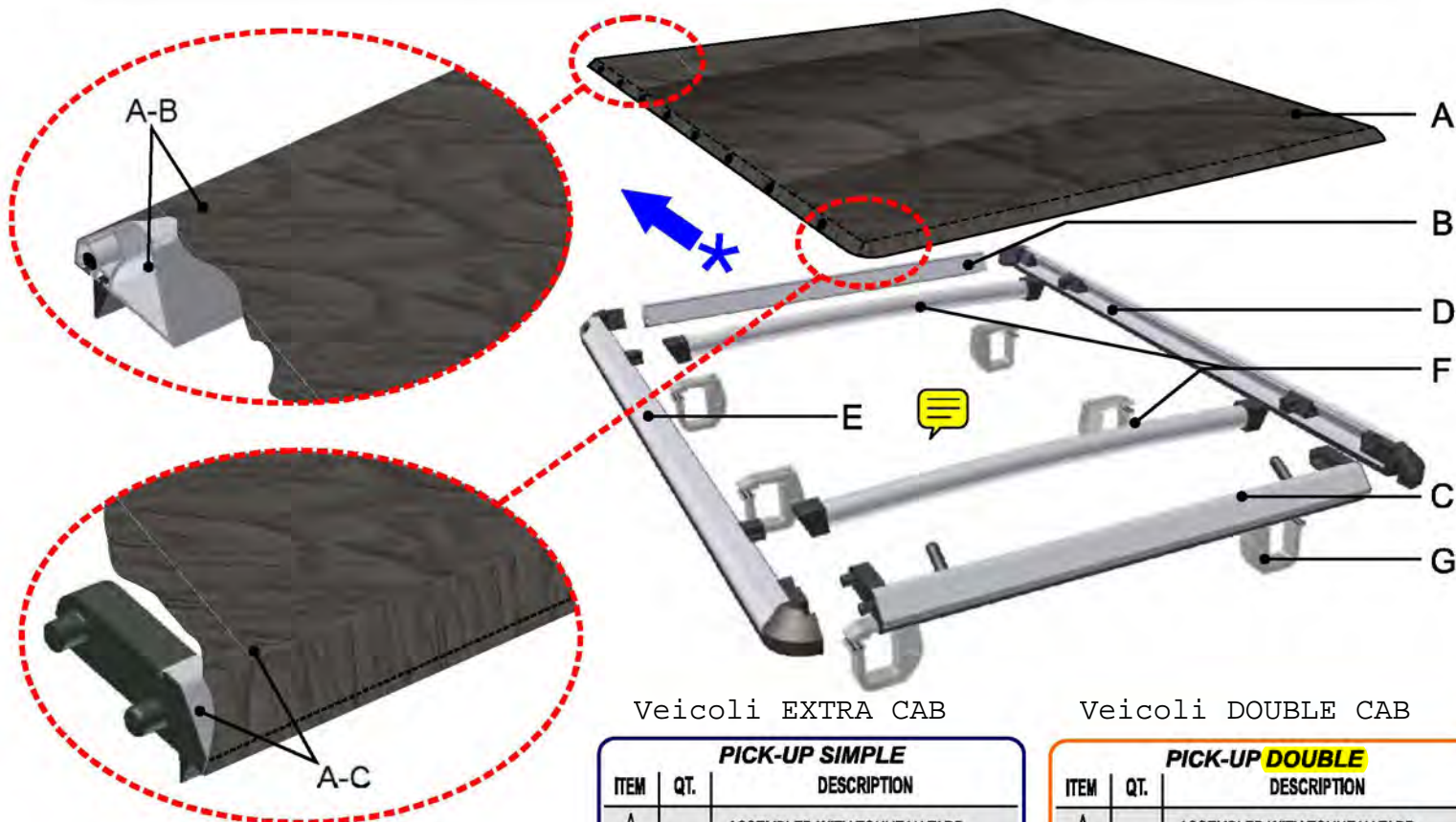


Technology in Tonneau Covers and Accessories



Copertura Morbida. Fissaggio senza fori - ESEMPIO

# INSTALLATION INSTRUCTION TONNEAU COVERS PICK-UPS SIMPLE AND DOUBLE



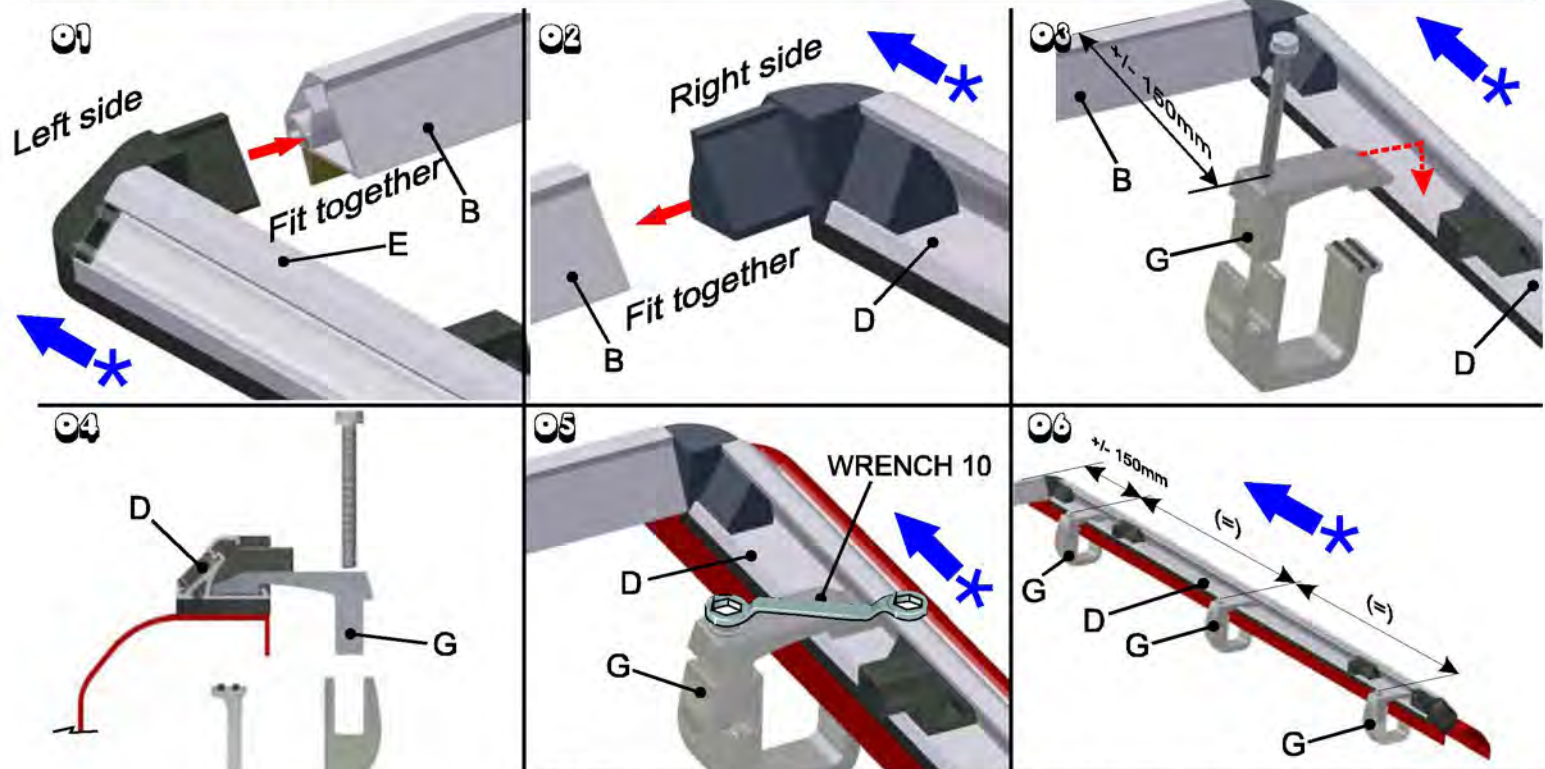
Veicoli EXTRA CAB

Veicoli DOUBLE CAB

PICK-UP SIMPLE		
ITEM	QT.	DESCRIPTION
A	01	ASSEMBLED WITH TONNEAU TARP COVER(A) FRONT VIEW (B) AND BACK VIEW (C).
B		
C		
D	01	RIGHT SIDE VIEW
E	01	LEFT SIDE VIEW
F	03	FRONT RAILS
G	06	CLAMPS

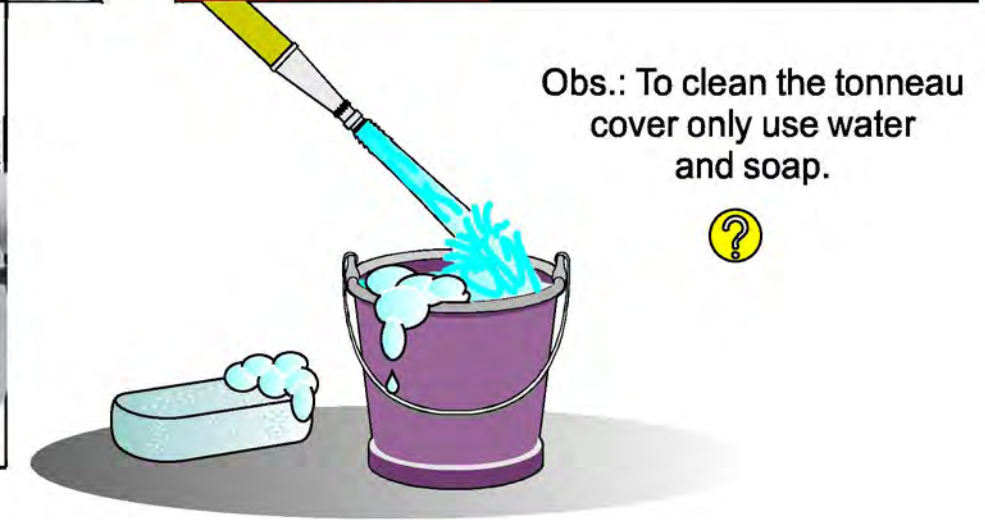
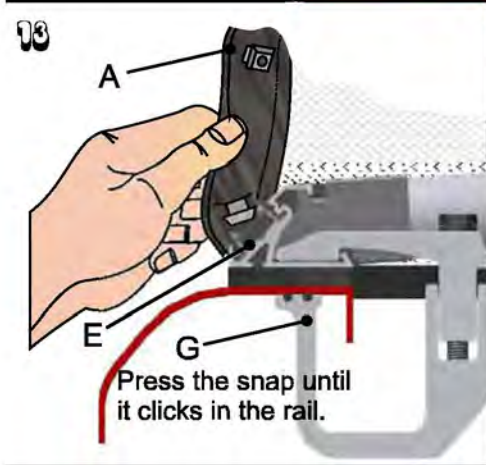
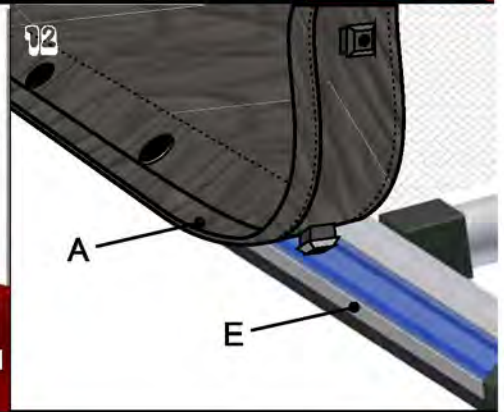
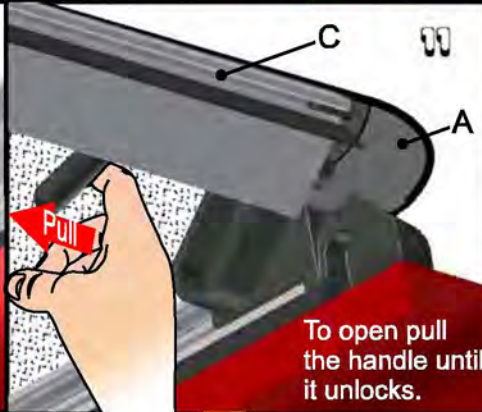
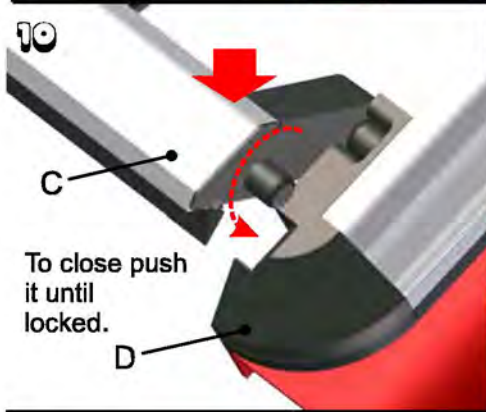
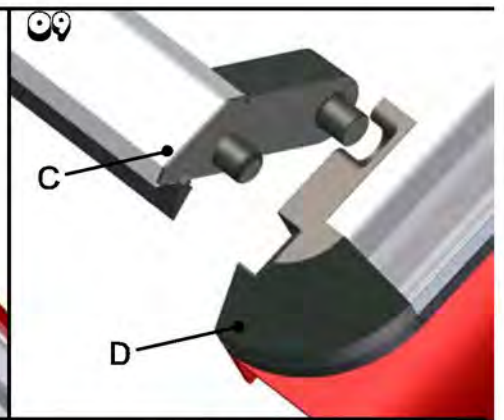
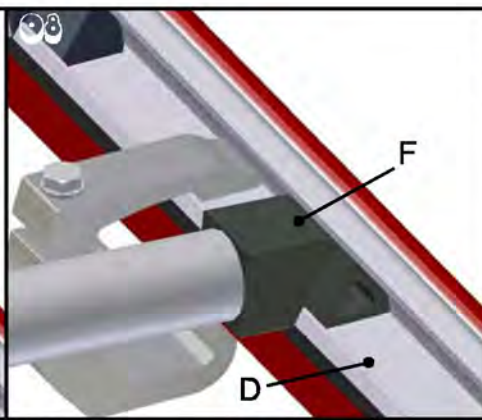
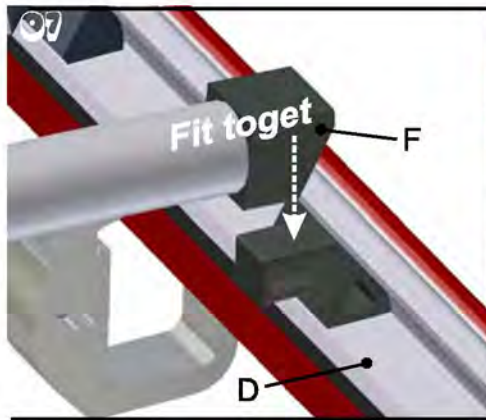
PICK-UP DOUBLE		
ITEM	QT.	DESCRIPTION
A	01	ASSEMBLED WITH TONNEAU TARP COVER(A) FRONT VIEW (B) AND BACK VIEW (C).
B		
C		
D	01	RIGHT SIDE VIEW
E	01	LEFT SIDE VIEW
F	02	FRONT RAILS
G	04	CLAMPS

\* Vehicle Front



OBS.: Before hand tighten the screws (G), check if the tonneau cover is in the centre of the truck bed.





## IMPORTANT

**Check that both sides are locked when closing the tonneau cover, to avoid causing damage to the accessory.**

**SAFARI MARKET Int.l Srl - Verona**  
Via E.Barsanti, 9

